

# DJ130 TECHNICAL SPECIFICATIONS



## UNIT DETAILS

Maximum Rec. Power Continuous:	up to 410skW (550shp)
Maximum Rec. Power Sprint:	up to 450skW (600shp) <sup>(A)</sup>
Maximum Rec Impeller speed:	2585rpm
Dry Weight:	295 kg (complete waterjet including jet mounted hydraulic items)
Entrained Water:	65 kg
Loss of buoyancy	0.015m <sup>3</sup> (duct volume within hull bound)
Corrosion Protection:	Cathodic with Anodes
Design Standard:	To international authority standards

## CONSTRUCTION DETAILS

### Impeller:

Diameter:	13 inch (330mm)
No of Stages/Configuration:	Single Stage – Axial pump construction
Standard Rotation:	Anti-clockwise (Looking forward from stern)
Impeller Material:	Cast CF8M Stainless Steel

### Pump Assembly:

Impeller Casing Material:	Cast ASTM A356 Alum. Alloy with stainless steel liner
Discharge Nozzle Material:	Cast ASTM A356 Alum. Alloy

### Steering System:

Description	Balanced nozzle
Operation	Inboard tiller actuation
Steering Bowl/Nozzle Material:	Cast ASTM A356 Aluminium Alloy

### Reverse System:

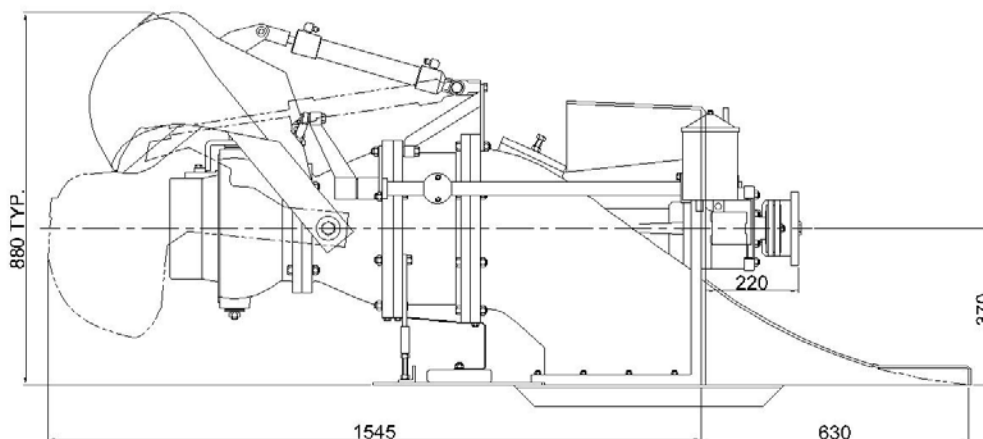
Description	Split Duct Type – “High Thrust”
Operation	Hydraulic cylinder actuation
Reverse duct material	Cast ASTM A356 Aluminium Alloy

### Shaft Assembly:

Main Shaft Material:	Stainless Steel Grade SAF 2205
Rear Bearing:	Water Lubricated Cutlass Bearing
Main Bearing:	Angular contact Thrust Bearing
Lubrication	Grease
Shaft Seal:	Face type Mechanical Seal
Coupling Flange:	Spicer “1600” Series
Shaft Angle	Available in both 0° (DJ130Z) and 5° (DJ130)

### Intake Body:

Material:	Cast ASTM A356 Aluminium Alloy
Inspection Opening:	Outboard
Intake Grate:	Removable Stainless Steel Bars



**Note (A):** Requires application approval by DOEN Pacific  
Due to our policy of continuous Research & Development, we reserve the right to change the specifications without notice