

DJ142 TECHNICAL SPECIFICATIONS



UNIT DETAILS

Maximum Rec. Continuous Power:	up to 520skW (700shp)
Maximum Rec. Impeller speed:	2400rpm
Dry Weight:	315 kg (complete waterjet including jet mounted hydraulic items)
Entrained Water:	70 kg
Loss of buoyancy	0.05m ³ (duct volume within hull bound)
Corrosion Protection:	Cathodic with Anodes
Design Standard:	To international authority standards

CONSTRUCTION DETAILS

Impeller:

Diameter:	14 inch (356mm)
No of Stages/Configuration:	Single Stage – Axial flow pump
Standard Rotation:	Anti-clockwise (Looking forward from stern)
Impeller Material:	Cast CF8M Stainless Steel

Pump Assembly:

Impeller Casing Material:	Cast ASTM A356 Alum. Alloy with stainless steel liner
Discharge Nozzle Material:	Cast ASTM A356 Alum. Alloy

Steering System:

Description	Balanced nozzle
Operation	Inboard tiller actuation
Steering Bowl/Nozzle Material:	Cast ASTM A356 Aluminium Alloy

Reverse System:

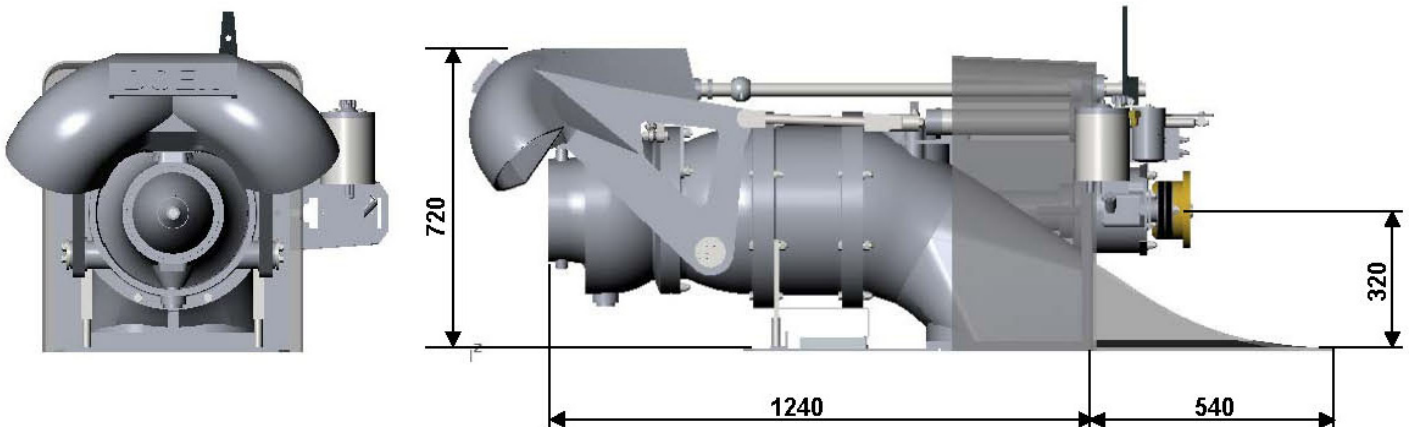
Description	Split Duct Type – “High Thrust”
Operation	Twin Hydraulic cylinder actuation
Reverse duct material	Cast ASTM A356 Aluminium Alloy

Shaft Assembly:

Main Shaft Material:	Stainless Steel Grade SAF 2205
Rear Bearing:	Water Lubricated Cutlass Bearing
Main Bearing:	Angular contact Thrust Bearing
Lubrication	Grease
Shaft Seal:	Face type Mechanical Seal
Coupling Flange:	Spicer “1600” Series
Shaft Angle	0 degrees standard

Intake Body:

Material:	Cast ASTM A356 Aluminium Alloy
Inspection Opening:	Outboard
Intake Grate:	Removable Aluminium Bars



Due to our policy of continuous Development, we reserve the right to change the specifications without notice

Issued 18/12/2015

T:\SALES DOCUMENTATION\Tech Specs\MASTER\DJ142 Tech spec 181215.doc