

DJ172 TECHNICAL SPECIFICATIONS



UNIT DETAILS

Maximum Rec. Power Continuous:	up to 375skW (500shp)
Maximum Rec Impeller speed:	1975rpm
Dry Weight:	450 kg (typ. complete waterjet including jet mounted hydraulic items)
Entrained Water:	120 kg
Loss of buoyancy	0.09 m ³ (duct volume within hull bound)
Corrosion Protection:	Cathodic with Anodes
Design Standard:	To international authority standards

CONSTRUCTION DETAILS

Impeller:

Diameter:	17 inch (432mm)
No of Stages/Configuration:	Single Stage – High Thrust Axial pump construction
Standard Rotation:	Anti-clockwise (Looking forward from stern)
Impeller Material:	Cast CF8M Stainless Steel

Pump Assembly:

Impeller Casing Material:	Cast ASTM A356 Alum. Alloy with stainless steel liner
Discharge Nozzle Material:	Cast ASTM A356 Alum. Alloy

Steering System:

Description	Balanced nozzle
Operation	Inboard tiller actuation
Steering Bowl/Nozzle Material:	Cast ASTM A356 Aluminium Alloy

Reverse System:

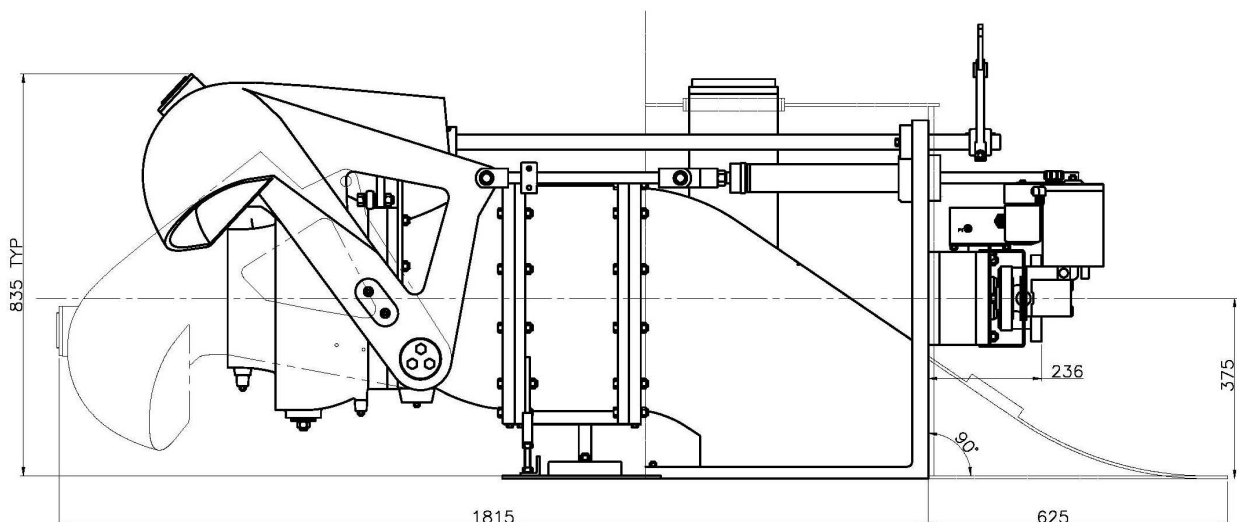
Description	Split Duct Type – “High Thrust”
Operation	Hydraulic with Twin Cylinder Actuation
Reverse duct material	Cast ASTM A356 & 5083 grade plate aluminium

Shaft Assembly:

Main Shaft Material:	Stainless Steel Grade SAF 2205
Rear Bearing:	Water Lubricated Cutlass Bearing
Main Bearing:	Angular contact Thrust Bearing
Lubrication	Grease
Shaft Seal:	Face type Mechanical Seal
Coupling Flange:	Spicer “1600” Series
Shaft Angle	0 degrees standard

Intake Body:

Material:	Cast ASTM A356 Aluminium
Inspection Opening:	Inboard though hull insert
Intake Grate:	Removable Aluminium Bars



Note (A): Requires application approval by DOEN Pacific.
Due to our policy of continuous Research & Development, we reserve the right to change the specifications without notice