

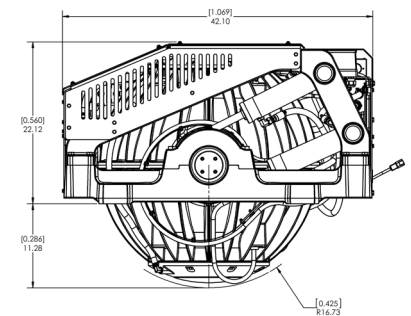
Crafted for 60'-69' boats, up to 50 tons, the Seakeeper 16 is designed to eliminate up to 95% of boat roll. The Seakeeper 16 is completely internal, requires only modest electrical power, and can be installed virtually anywhere on board.



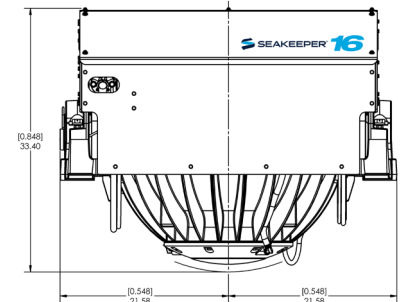
TECH SPECS

Rated Speed	6,130 RPM
Angular Momentum at Rated RPM	16,000 N-M-S
Max Anti-Rolling Torque at Rated RPM	30,720 N-M
Spool-up Time to Rated RPM	57 minutes (6,130 RPM)
Spool-up Time to Stabilization	45 minutes (5,210 RPM)
Spool-up Power	
AC Motor	3000 Watts Max
DC Control	240 Watts
Operating Power	
AC Motor (sea state dependent)	2300 - 3000 Watts
DC Control	240 Watts
AC Input Voltage	208 - 230 VAC (+/-10%), 50/60 Hz, Single Phase
DC Input Voltage	24 VDC @ 10 Amps
Sea Water Supply to Heat Exchanger	30 LPM (8 GPM) Maximum 15 LPM (4 GPM) Minimum
Ambient Air Temperature	0° - 60° C (32° - 140° F)
Weight	2,195 lbs (996 kg) Bolt-in Installation
Envelope Dimensions	Length x Width x Height 42.6 L x 43.2 W x 32.8 H (Inches) 1.08 L x 1.10 W x 0.83 H (Meters)
Noise Output	At full operating RPM, steady state noise measured in the factory at a 1 meter distance measures 68 - 73 dBC. (Sound levels may be higher during spool-up)

PORT VIEW



FRONT VIEW



TOP VIEW

