

DJ100G TECHNICAL SPECIFICATIONS



UNIT DETAILS

Maximum Rec. Power Continuous:	up to 225skW (300shp)
Maximum Rec. Power Sprint:	up to 300skW (400shp) ^(A)
Maximum Rec. Impeller speed:	4400rpm
Dry Weight:	125 kg (complete waterjet including jet mounted hydraulic items)
Entrained Water:	22 kg
Loss of buoyancy	0.011 m ³ (duct volume within hull bound)
Corrosion Protection:	Cathodic with Anodes
Design Standard:	To international authority standards

CONSTRUCTION DETAILS

Impeller:

Diameter:	10 inch (254mm)
No of Stages/Configuration:	Single Stage – Axial pump construction
Standard Coupling Rotation	Anti-clockwise (Looking forward from stem)
Impeller Material:	Cast CF8M Stainless Steel

Pump Assembly:

Impeller Casing Material:	Cast ASTM A356 Alum. Alloy with stainless steel liner
Discharge Nozzle Material:	Cast ASTM A356 Alum. Alloy

Steering System:

Description	Balanced nozzle
Operation	Inboard tiller actuation
Steering Bowl/Nozzle Material:	Cast ASTM A356 Aluminium Alloy

Reverse System:

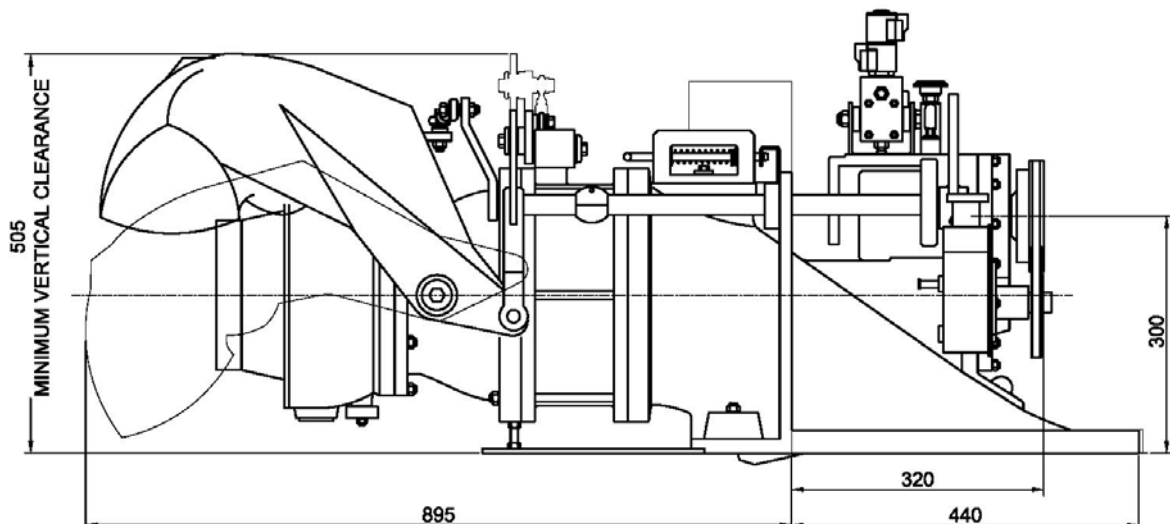
Description	Split Duct Type – “High Thrust”
Operation	Inboard Hydraulic cylinder actuation
Reverse duct material	Cast ASTM A356 Aluminium Alloy

Shaft Assembly:

Main Shaft Material:	Stainless Steel Grade SAF 2205
Rear Bearing:	Water Lubricated Cutlass Bearing
Main Bearing:	Taper Roller
Lubrication	Oil Lubricated
Shaft Seal:	Face type Mechanical Seal
Coupling Flange:	Spicer “1410” Series
Shaft Angle	0 degrees

Intake Body:

Material:	Cast ASTM A356 Aluminium Alloy
Inspection Opening:	Outboard – Quick release type
Intake Grate:	Removable Bar type



Note (A): Requires application approval by DOEN Pacific
 Due to our policy of continuous Research & Development, we reserve the right to change the specifications without notice