

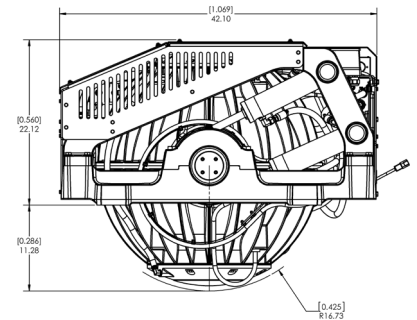
Optimized for 55'-64' boats, up to 35 tons, the Seakeeper 12HD is designed to eliminate up to 95% of boat roll. Our gyros are completely internal, require only modest electrical power, and can be installed virtually anywhere on board.



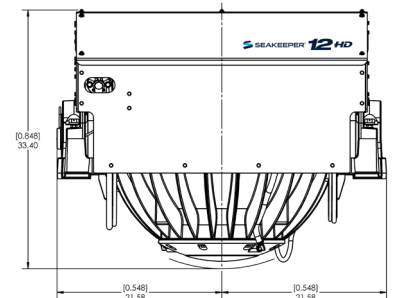
TECH SPECS

Rated Speed	4,600 RPM
Angular Momentum at Rated RPM	12,000 N-M-S
Anti-Rolling Torque at Rated RPM	23,040 N-M
Spool-up Time to Rated RPM	45 minutes (4,600 RPM)
Spool-up Time to Stabilization	35 minutes (3,680 RPM)
Spool-up Power	
AC Motor	3000 Watts Max
DC Control	240 Watts
Operating Power	
AC Motor (sea state dependent)	1000 - 3000 Watts
DC Control	240 Watts
AC Input Voltage	208 - 230 VAC (+/- 10%), 50/60 Hz, Single Phase
DC Input Voltage	24 VDC @ 10 Amps
Weight	2,195 lbs (996 kg)
Envelope Dimensions	Length x Width x Height 42.6 L x 43.2 W x 32.8 H (inches) 1.08 L x 1.10 W x 0.83 H (meters)
Noise Output	68-73 dBC at 1 meter

PORT VIEW



FRONT VIEW



TOP VIEW

