

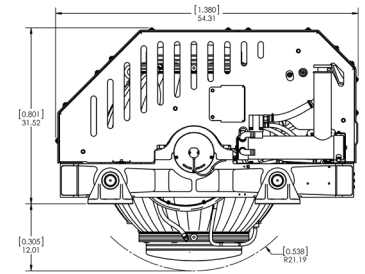
The Seakeeper 30HD is built to eliminate up to 95% of boat roll on vessels up to 85 tons. Larger vessels can be fitted with multiple units to achieve optimal results. Unlike traditional external fins, the Seakeeper 30HD requires only modest electrical power and has no external appendages—meaning no drag or risk of snags.



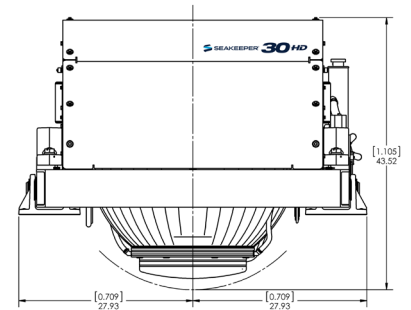
## TECH SPECS

<b>Rated Speed</b>	4,400 RPM
<b>Angular Momentum at Rated RPM</b>	30,000 N-M-S
<b>Anti-Rolling Torque at Rated RPM</b>	62,571 N-M
<b>Spool-up Time to Rated RPM</b>	75 minutes (4,400 RPM)
<b>Spool-up Time to Stabilization</b>	50 minutes (3,500 RPM)
<b>Spool-up Power</b>	
AC Motor	3000 Watts Max
DC Control	240 Watts
<b>Operating Power</b>	
AC Motor (sea state dependent)	2000 - 3000 Watts
DC Control	240 Watts
AC Input Voltage	208 - 230 VAC (+/- 10%), 50/60 Hz, Single Phase
DC Input Voltage	24 VDC @ 10 Amps
<b>Weight</b>	3,920 lbs (1,778 kg)
<b>Envelope Dimensions</b>	Length x Width x Height 54.3 L x 55.9 W x 43.5 H (inches) 1.38 L x 1.42 W x 1.11 H (meters)
<b>Noise Output</b>	72-74 dBC at 1 meter

## PORT VIEW



## FRONT VIEW



## TOP VIEW

